

Fig. 1

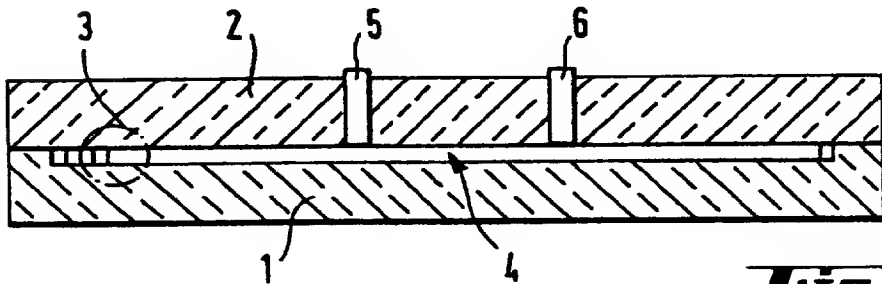


Fig. 2

Patent No. 2,825,660

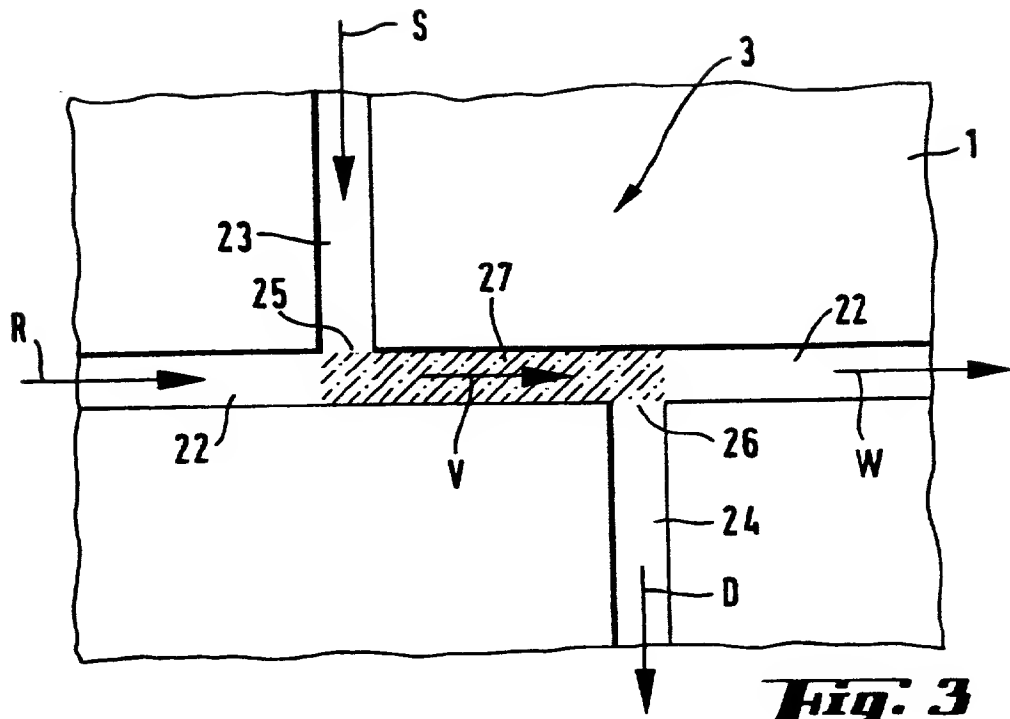


Fig. 3

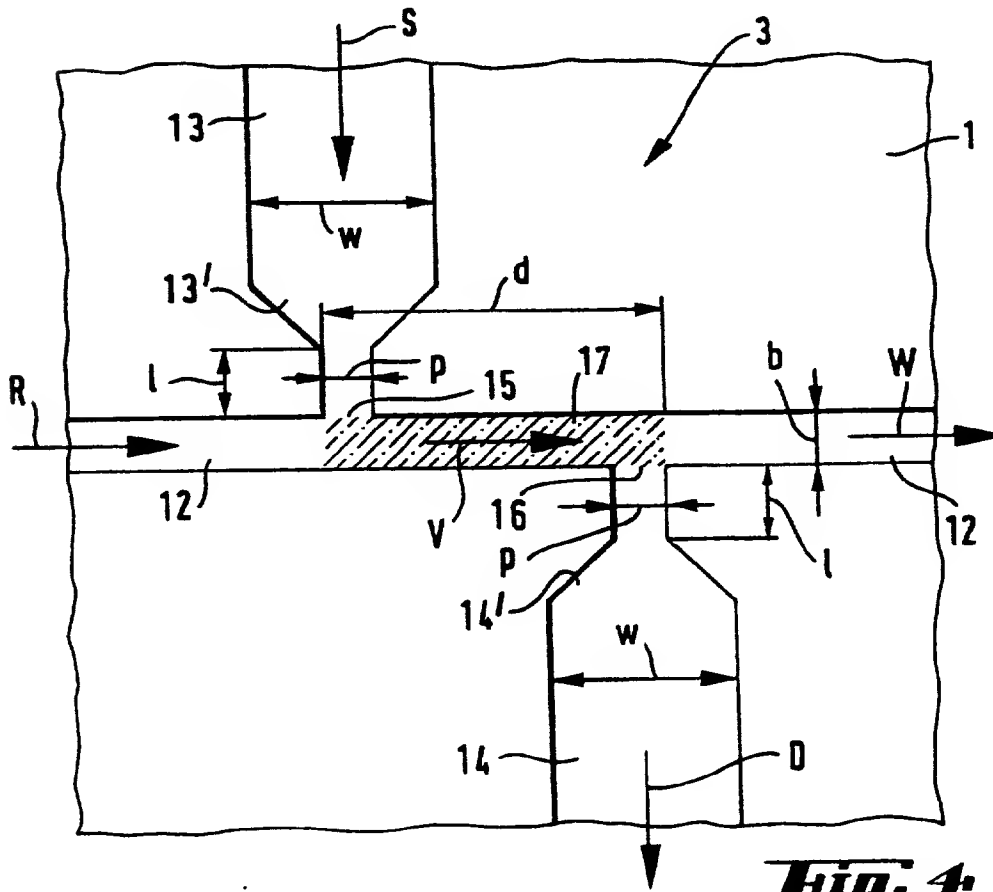


Fig. 4

COPYRIGHT © 1964